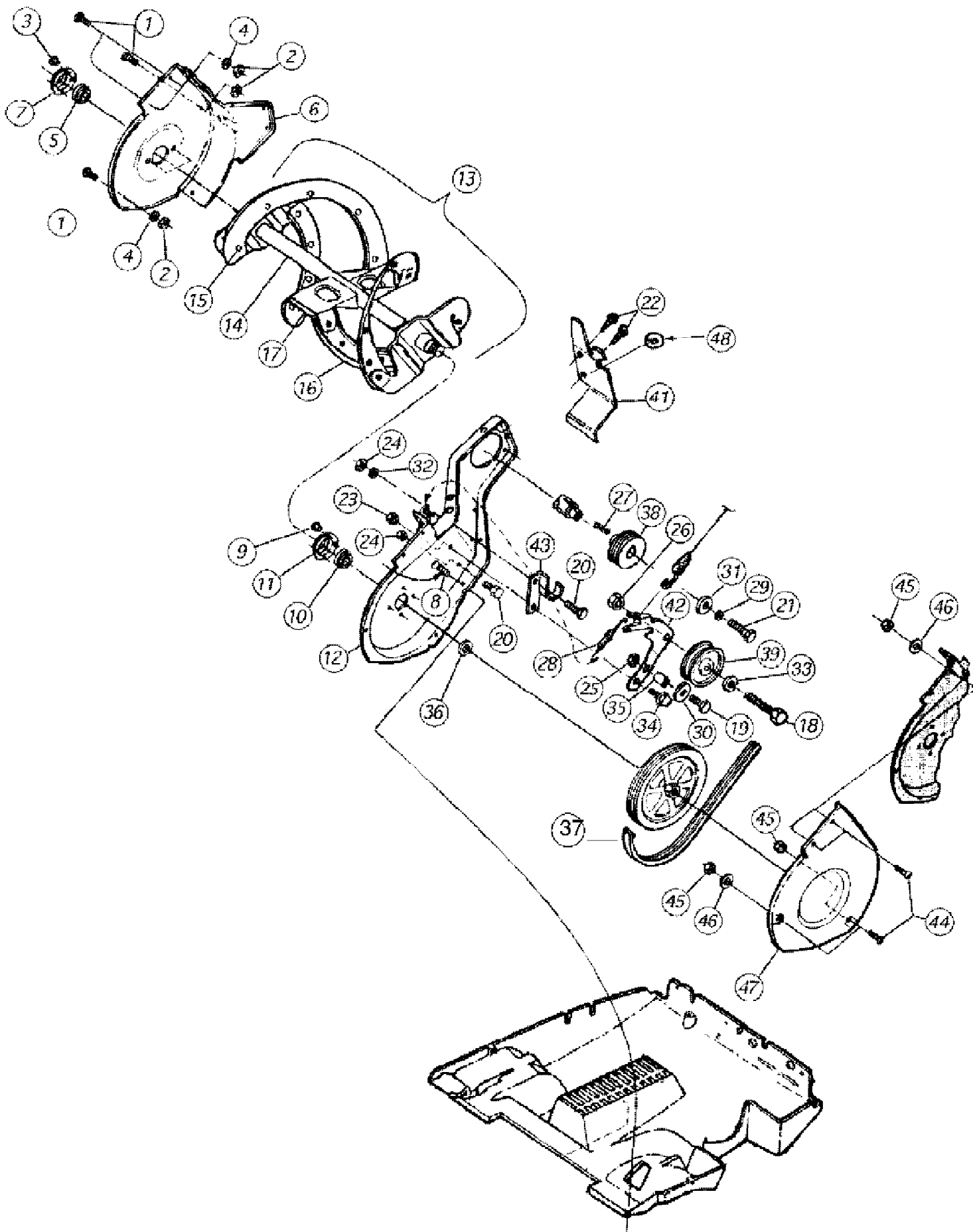


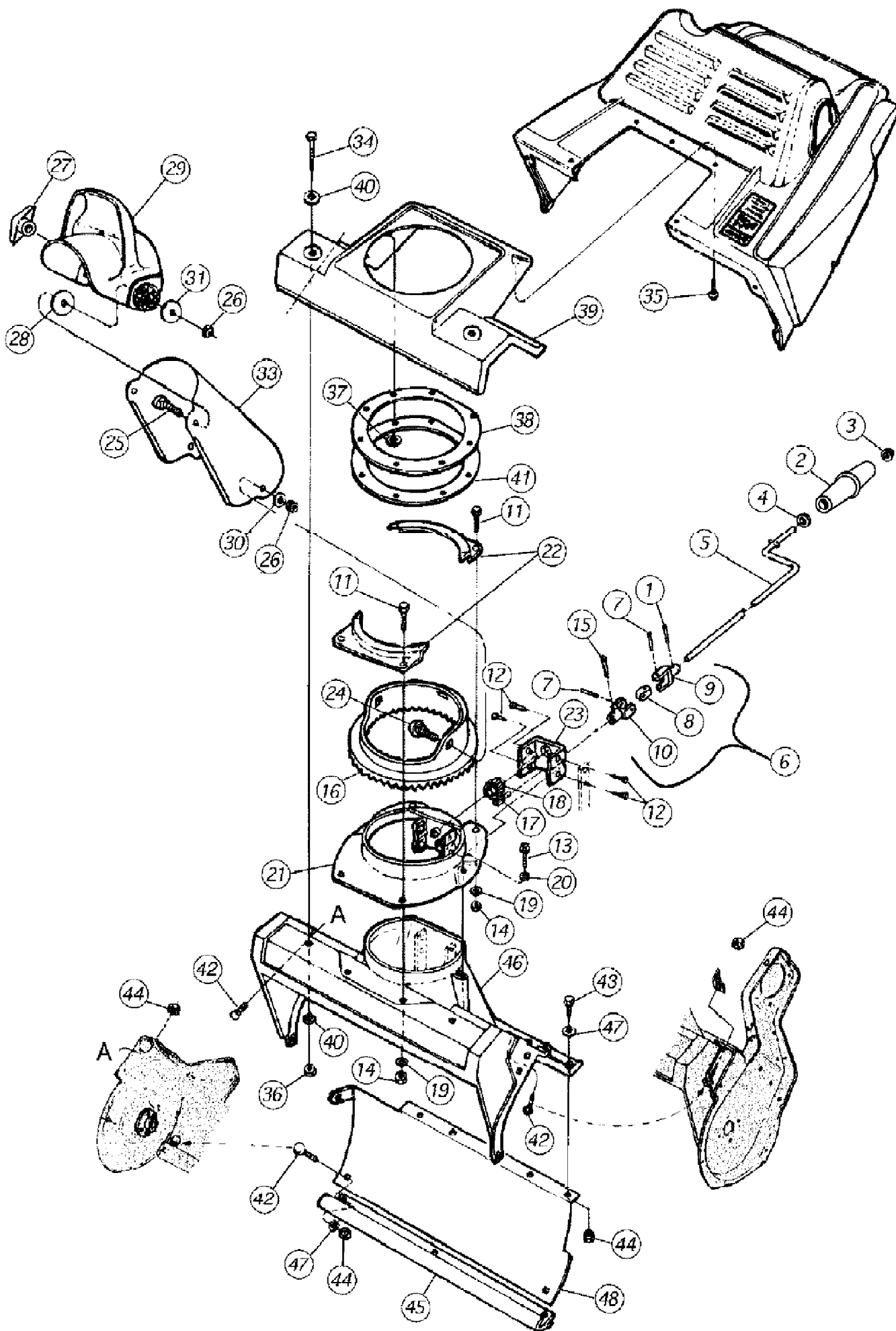
31AE262-190 Snow Boss 55 (1998)
Auger Assembly Complete



31AE262-190 Snow Boss 55 (1998)
Auger Assembly Complete

Page 2 of 9

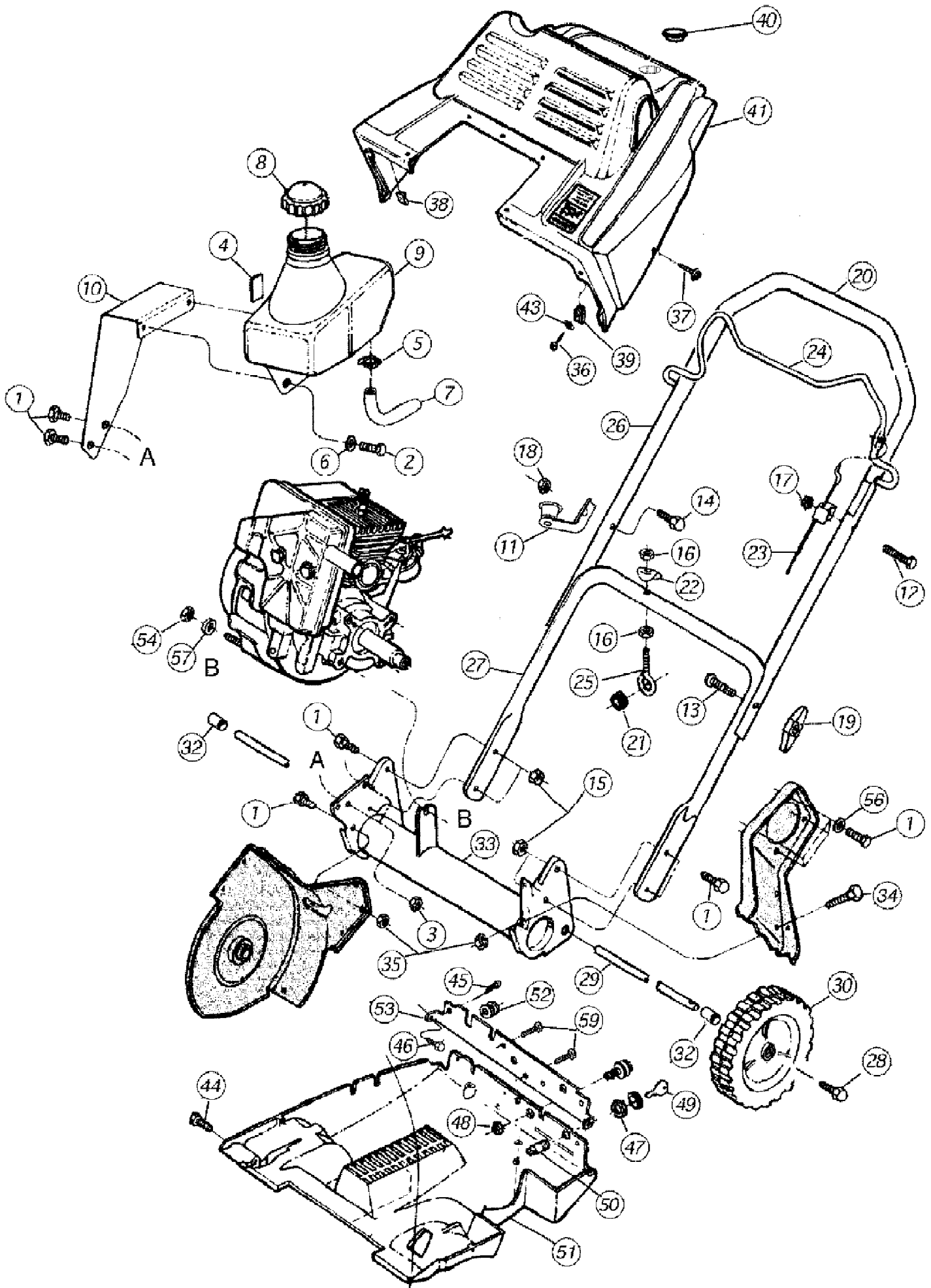
Ref #	Part Number	Qty	S/P/F	Description
1	710-1623	1		Scr: #10-24:.625 Pan Trx
2	712-0161	1	/P	Hex Nut
3	728-0145	1	S	Rivet
4	736-0400	1	S	Flat Washer
5	741-0976	1	S	Ball Bearing, Auger Axle
6	784-0355	1		Frame, RH
7	784-0357	1	/P	Retainer Bearing
8	710-0258	1	S	Hex Screw: 1/4 - 20 X .625 Gr 2
9	728-0145	1	S	Rivet .252 Dia X .31
10	741-0976	1	S	Ball Bearing, Auger Axle
11	784-0357	1	/P	Retainer Bearing
12	784-0359A	1		Frame, LH
13	684-0087	1		Auger Assembly, Complete
14	684-0085	1		Auger Assembly, Weld.
15	728-0197	1	S	Rivet, Truss
16	731-1717	1	/P	Auger Blade
17	731-1716	1	/P	Auger Paddle
18	710-0520	1	/P	Hex Screw: 3/8 - 16 X 1.50 Gr 5
19	710-0597	1	/P	Hex Screw: 1/4 - 20 X 1.0 Gr 5
20	710-0896	1	/P	Scr:AB: 1/4-14: .625:Hxindwsh
21	710-1245	1	/P	Hex Screw: 5/16 - 24 X .88 Gr 2
22	710-1335	1		Hex Screw
23	712-0429	1	S	Nylock
24	712-0324	1	/P	Top Lock Nylon Insert
25	712-0291	1	S	Lock Nut: 1/4 - 20
26	712-0431	1	S	Flanged Lock Nut
27	714-0105	1	S	Key
28	732-0691	1	S	Extension Spring
29	736-0119	1	S	Lock Washer
30	736-0123	1	S	Flat Washer: .344 ID X 1.12 OD
31	736-0262	1	/P	Flat Washer: .385 ID X .87 OD X .092
32	736-0463	1	S	Flat Washer: .25 ID X .62 OD
33	736-3050	1	/P	Flat Washer: .406 ID X .81 OD X .051
34	738-0961	1		Shoulder Screw
35	750-1045	1		Spacer, Brake Belt
36	750-1046	1	/P	Spacer, Auger Pulley
37	754-0452	1	S	Belt, Auger Drive
38	756-0652	1	/P	Engine Pulley
39	756-0653	1		Idler Pulley
41	784-0356A	1	S	Shield, Bolt
42	784-0358	1	/P	Idler Arm
43	784-0362	1		Bracket, Belt
44	710-0425	1	/P	Machine Screw #10 - 24 X .62
45	712-0161	1	/P	Hex Nut
46	736-0400	1	S	Flat Washer: .218 ID X .62 OD X .063
47	784-0360	1	S	Belt Guard
48		1		UNKNOWN
	756-0654	1	/P	Auger Pulley



31AE262-190 Snow Boss 55 (1998)
Front/Rear U-Joint Clevis

Page 4 of 9

Ref #	Part Number	Qty	S/P/F	Description
1	715-0138	1	S	Pin, Roll: 1/8 x .63
2	720-0201A	1	/P	Chute Rotating Knob
3	726-0100	1	S	Push Cap
4	736-0400	1	S	Flat Washer
5	747-0959	1	S	Chute Crank
6	631-0045	1		U-Joint Assembly
7	715-0164	1	/P	Pin, Roll: 5/32 x .88
8	731-1729	1	/P	Connector, U-Joint
9	731-1730	1		Clevis, Rear U-Joint
10	731-1731	1	/P	Clevis, Front U-Joint
11	710-3015	1	/P	Hex Screw: 1/4-20 x .75 Gr 5
12	710-1005	1	S	Hex Screw: 1/4 x .50
13	710-1328	1		Hex Screw
14	712-0324	1	/P	Top Lock Nylon Insert
15	714-0470	1	S	Cotter Pin: 1/8 dia x 1.25
16	731-1724	1	/P	Chute Base: Black
17	731-1725	1	/P	Gear, Drive
18	731-1726	1	/P	Gear, Idler
19	736-0173	1	/P	Flat Washer
20	736-0400	1	S	Flat Washer
21	784-0353	1		Plate, Chute Base
22	784-0366A	1		Retainer, Chute Base
23	784-0367	1	/P	Mounting Bracket
24	710-0260	1	S	Carriage Bolt
25	710-0276	1	/P	Carriage Screw: 5/16-18 X 1.0
26	712-0429	1	S	Hex Lock Nut: 5/16-18
27	720-0284	1	S	Knob Assembly
28	731-1733	1	/P	Rubber Washer: .50 X 1.50 X .08
29	731-1720A	1	/P	Chute Deflector
30	736-0275	1	S	Flat Washer
31	736-0430	1	/P	Flat Washer
33	784-0364A	1		Lower Chute
34	710-3015	1	/P	Hex Screw: 1/4-20 X .75 Gr 5
35	710-1003	1	/P	Tap Screw
36	712-0271	1	/P	Sems Nut: 1/4-20
37	726-0343	1		Nut, Push On
38	731-1759	1		Chute Gasket
39	731-1761	1		Chute Base Cover
40	736-0173	1	/P	Flat Washer
41	784-0365	1		Retainer, Gasket
42	710-0703	1	/P	Carriage Bolt: 1/4-20 X .75
43	710-0896	1	/P	Hex Screw: 1/4-14 x .60
44	712-0324	1	/P	Top Lock Nylon Insert
45	731-1921	1		Shave Plate
46	731-1762	1		Auger Housing
47	736-0463	1	S	Flat Washer
48	784-0354A	1		Lower Auger Housing



31AE262-190 Snow Boss 55 (1998)
Fuel Tank & Wheel And Frame Assemblies

Page 6 of 9

Ref #	Part Number	Qty	S/P/F	Description
1	710-0118	1	S	Hex Screw: 5/16 - 18 x .75 Gr 2
2	710-0896	1	/P	Hex Screw: 1/4 - 14 x .625
3	712-0429	1	S	Nylock Nut 32 750-1069 Spacer
4	722-0157	1		Foam Strip
5	726-0205	1	/P	Hose Clamp 1/2" OD
6	736-0173	1	/P	Flat Washer
7	751-0535	1		Hose, Fuel Line
8	751-0634	1	S	Fuel Tank Cap
9	751-0635	1	/P	Fuel Tank
10	784-0368	1	/P	Support Bracket
11	684-0089	1		Bracket Assembly, Rope Guide
12	710-0501	1	/P	Hex Screw: 1/4 - 20 x 2.0 Gr 5
13	710-1174	1	/P	Carriage Bolt: 5/16 - 18 x 2.0 Lg. Carved
14	710-1270	1		Oval C-Sunk Screw
15	712-0429	1	S	Nylock Nut
16	712-0267	1	S	Hex Nut: 5/16 - 18
17	712-0324	1	/P	Top Lock Nut Nylon Insert
18	712-0324	1	/P	Top Lock Nut 1/4 - 20
19	720-0284	1	S	Knob Assembly
20	720-0296	1		Foam Grip, Handle
21	735-0234	1		Grommet: .44 ID x .94 OD x .50
22	736-0451	1	S	Side Lock Washer
23	746-0934	1	/P	Drive Cable, Auger
24	747-0942	1		Auger Bail, Drive Dipped
25	747-0943	1		Eye Bolt 5/16 - 18
26	749-0994	1		Upper Handle
27	749-0995	1	S	Lower Handle
28	710-0773	1		Tap Screw: 3/8 - 16 x .5
29	711-1123	1		Axle, Tube
30	734-1797	1	/P	Wheel Assembly
32	750-1069	1	S	Spacer
33	684-0086	1	S	Frame Assembly
34	710-1088	1		Hex Cap Screw: 5/16 - 18 x 1.00
35	712-0429	1	S	Nylock Nut
36	710-1329	1		Hex Screw
37	710-1339	1		Ab Screw
38	726-0342	1		Retainer Clip, U-Style
39	726-0344	1		U Nut
40	731-1133A	1	S	Snap-In Plug
41	731-1748	1		Upper Engine Cover
43	736-0400	1	S	Flat Washer
44	710-0258	1	S	Hex Screw: 1/4 - 20 x .625
45	710-1334	1		Tap Screw: 10 - 24 x .75
46	710-1335	1		Tap Screw: 10 - 25 x .75
47	712-0252	1	/P	Jam Nut: 5/8 - 32 x .12
48	712-0324	1	/P	Top Lock Nut Nylon Insert
49	725-0201	1	S	Ignition Key
50	725-1425	1	S	Recoil Starter Key
51	731-1747	1		Lower Engine Cover
52	750-1049	1		Grommet: .280 x .750 x .40
53	784-0361	1		Control Panel
54	712-0429	1	S	Nylock Nut
56	736-0119	1	S	Lock Washer

31AE262-190 Snow Boss 55 (1998)
Fuel Tank & Wheel And Frame Assemblies

Ref #	Part Number	Qty	S/P/F	Description
57	736-0275	1	S	Flat Washer
?58	710-1003	1	/P	Tap Screw (Electric Start Models only)
59	629-0236	1	/P	Cord Assembly (Electric Start Models only)

No
Diagram
Available

Parts List
Only

31AE262-190 Snow Boss 55 (1998)
Labels

Page 9 of 9

Ref #	Part Number	Qty	S/P/F	Description
	777-2361A	1		Label: Danger
	777-4330	1		Label: Warning/Behind Chute
	777-8088B	1	S	Label: Danger/Top of Chute
	777-4454	1		Label: Starting Instructions
	777-4346	1		Label: Choke On-Off